



Seatrest and Backrest

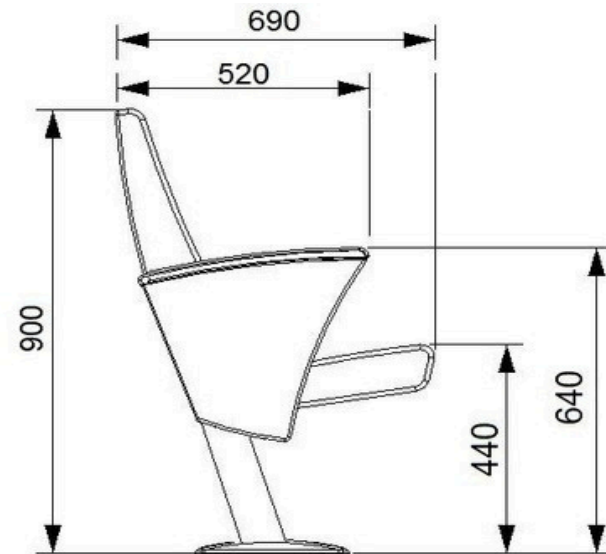
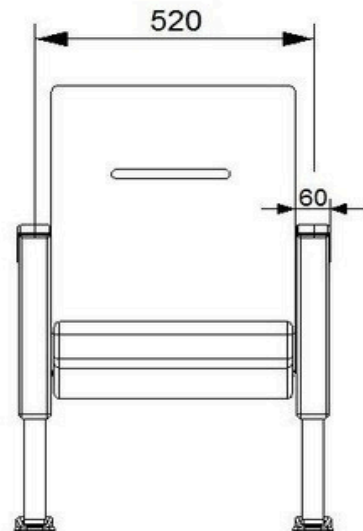
Seatrest and Backrest are manufactured from polyurethane material in aluminum molds which are designed in accordance to the human anatomy and have the standart of $50 \pm 10\%$ density and Mvss 302 fire behaviour. Seatrest and Backrest have a durable inner skeleton made of metal profile. Seatrests are manufactured as to have self-closing weight-centered mechanism.

Foot and Armrest

The foot connection parts are manufactured from 40x60x1,5 profile and the connection parts to the floor are made of at least 2 mm sheet which is shaped and formed by molds. Metal frame under armrest are covered with mdf and laminated fabric. The armrest is made of polished wooden from beech material. Armrests between the seats are used as a common and seats are fixed to the ground with 2 feet.

Upholstery

The upholstery fabric is 100% polyester, has resistant to friction, non-flammable and have fastness properties. Friction Strength: 60,000 cycles. Weight: 285 gr / m². Seatrest and backrest are covered whole with fabric.







EURO SEATING
SOLUTIONS

Turkey / Ankara



Year 2021 / Ankara Gazi Anadolu Lisesi

For consultation about your projects

